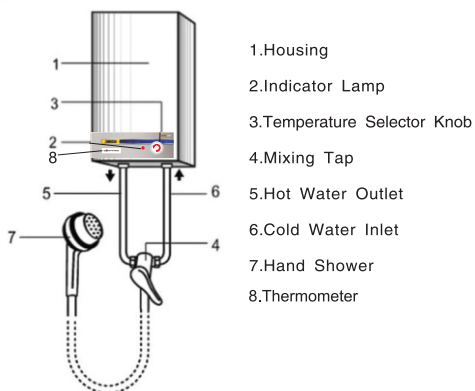


## Introduction

Thanks for choosing ZANUSSI Series Shower Type Electric Water Heater

- Before you use the appliance, please read these operating instructions carefully!
- With this small electric water heater, you can heat up and store water up to 75°C to meet your requirements.
- Upon request, the temperature can be set to approximate 60°C by the technician.
- You can also obtain cold water from the mixer tap at any time.
- This water heater must be installed (both aquatic and electrical installation), commissioned and service by a registered electrical contractor and a licensed plumber, in accordance with the local wiring rules and these instructions.
- This installation must be completed with attached accessories by following the instructions.

### (1) Composition of the Unit



### (2) Basic Installation Requirements

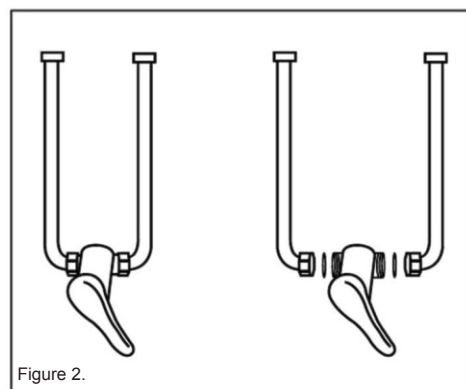
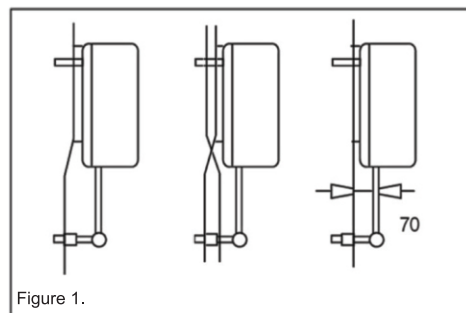
#### 2a. Electrical Connection

- Must install power switch outside bathroom with appropriate miniature circuit breaker (M.C.B.) and effective grounding.
- Release the set screws at bottom and remove the bottom panel.
- Push the power wire through the wire bushing at the bottom of back cover (refer to Diagram).
- Use the wire clamp to fix the wire in position (refer to Diagram).

- Connect the wiring to earth and on power terminals as shown in diagram.
- Refix the bottom panel in position.
- Connect to a 220V AC power supply only.
- The appliance must be connected to the power supply by a disconnecting device, such as 20A double-pole switch.
- Do not connect the appliance to the power socket until it is mounted on the wall and filled with water.
- Use the fixed wire that the cross area mark the signal of bigger than or equal 2.5 mm<sup>2</sup>.

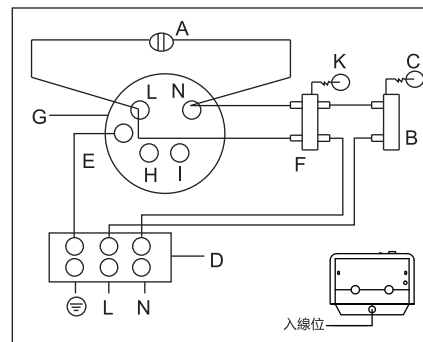
#### 2b. Wall mounting and supply of water

- Attach the appliance using four sets of standard rawi plugs (6mm in diameter) and wood screws (5mm in diameter).
- Make sure you mount the appliance vertically and the wall is flat. (Figure 1).
- When exchanging an appliance, check whether you can re-use existing boreholes.
- Connect the mixer tap to the connecting pipes (Picture 2).
- Mount the water heater on the wall, screw the connecting pipes to the heater and the mixer tap. (Figure 3).



### (3) 配線圖

- A=指示燈
- B=恆溫掣
- C=溫度感應頭
- D=接線座
- E=地線
- F=超溫斷路器
- G=發熱芯
- H=超溫感應孔
- I=溫度感應孔
- K=超溫感應頭



### (4) 使用方法

現提供給閣下如何使用“金章”牌系列花灑式電熱水器方式。



### 水溫調校

開動電熱水器時，請扭動溫度旋鈕選擇所需水溫。而在加熱過程中，顯示燈會亮起和水從花灑頭滴出。

- 水將會加熱至大約35°C
- 最經濟的調校是加熱至大約60°C
- 水加熱至大約75°C 是非常之熱的

### 節省能源

按動“●●”(60°C)是最經濟地使用電熱水器,在高水溫時,電熱水器會較易損耗熱能。

### (5) 注意事項

- 當水掣開到最大時,而熱水流出卻非常緩慢,電熱水器需要檢查或維修,請立即通知合格的技術人員,因電熱水器可能已出現高氣壓的情形。
- 在正常操作情況下,花灑頭可能有微量蒸氣或熱水冒出。
- 切勿在水喉管位置加裝開水掣或將出水喉管接駁到洗手盆或浴缸使用,以免阻塞出水喉管,使儲水缸內壓力過大,造成爆炸意外。
- 花灑式儲水缸是不能受壓的,儲水缸內的壓力須由出水喉管,花灑喉和花灑頭釋放,防止水缸受壓,此熱水器只可配合無阻塞的開放式混合水龍頭及花灑配件使用。
- 使用後請用濕布擦拭機體外殼,切勿使用沾有腐蝕或強酸或強鹼之清潔劑清洗。
- 本產品只可以聘請符合資格的技術員維修及保養,如因維修不適當,可能構成危險。
- 如發現損壞,請把供電至熱水器之電源切斷及通知合格技師檢查。

**警告:**此電熱水器需要排氣及只可安裝特定之配件,請勿接駁非制造商建議之混合水掣或配件。

為避免燙傷意外發生,未加入冷水前,請勿直接將出水花灑對向人體,直至確認出水溫度合適後才使用。

該設備不適合體能,觸感,或精神上有缺陷的,或者缺少經驗和缺少知識的人士(包括小孩)使用。除非使用及督導上有專業人士在場,確保他們的安全。請監督孩子不要讓他們玩耍該電器

#### (6) 異常狀況之處理

使用中發現異常狀況時，請將開關短語切掉，並洽請代理商服務中心至府上維修。

狀況	原因	執行
水不熱，指示燈不亮	1. 電源開關不妥 2. 內部電線不妥 3. 發熱芯或恆溫掣燒毀	● 找經驗技師檢查或修理 ● 更換發熱芯或恆溫掣
水溫太低	1. 溫度控制掣在低溫度 2. 熱水器容量功率不夠	● 調高溫度 ● 諮詢代理商或找經驗技師檢查
花灑出蒸汽	恆溫掣失靈	● 更換恆溫掣
漏水	1. 儲水膽漏水 2. 混合水閥漏水	● 找代理商維修 ● 維修或更換混合閥
水流量減弱或無出水	1. 水管淤塞 2. 水壓不足	● 清理水管

#### (7) 性能表

內容	型號
花灑式電熱水器連單控搖臂式混合龍頭	ZWH-T18
額定電壓(千瓦/伏)	3/220
容量(加侖/升)	5/18
形狀	方形
機身尺寸(深×闊×高 毫米)	260×305×570
重量(淨重)	9千克
溫度	由冷水至75度水溫
超溫斷路器	95°C
出入水喉管	1/2"

入水要求: 自來水或水箱供應

入水壓力: 1,000kPa(10 bar) 或以下 試水壓力: 1,000kPa(10 bar)

#### (8) 維修及保養

● 機身保養1年，零件保養3年(第二年及三年之人工費不包括在內)

● 內膽保養10年(如在保養期內有任何產品配件問題，代理商將予以維修或更換。)

保養並不包括以下不正當使用而導致之損壞:

1. 不正常安裝或操作
2. 使用非原裝或不合格之配件
3. 未經授權下改裝或更換配件
4. 未依照說明書指示安裝及使用



Sole Agent: DAH CHONG HONG, LTD.

總代理: 大昌貿易行有限公司

8/F., DCH Building, 20 Kai Cheung Road, Kowloon Bay, Hong Kong  
Tel: 2262 1625 Fax: 2755 0223 Home page: <http://www.dch.com.hk>  
E-mail address: [dch@dch.com.hk](mailto:dch@dch.com.hk)

九龍灣啟祥道二十號大昌行集團大廈八樓

Service Hotline: 8203 0298 維修服務熱線: 8203 0298

意大利

ZANUSSI 金章牌

ZANUSSI

## 花灑式電熱水器 Shower Type Electric Water Heater



ZWH-T18

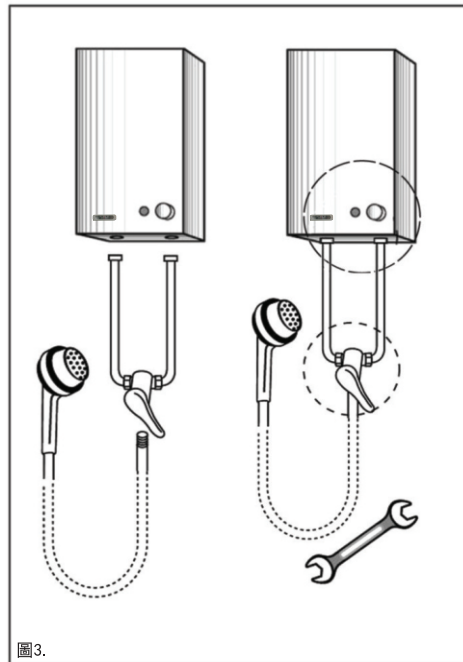
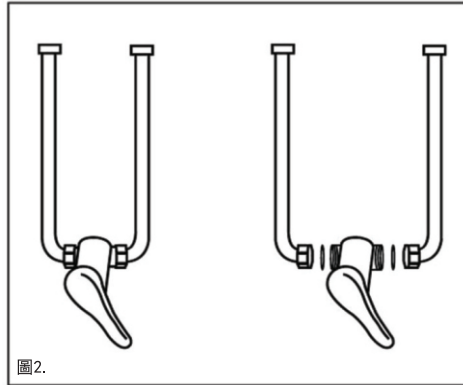
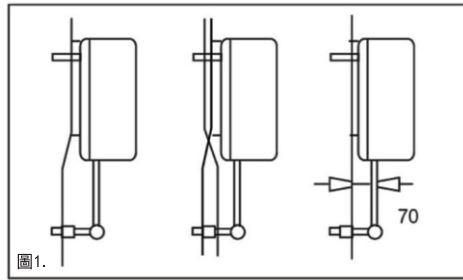
操作及安裝說明書

Operating and Installation Instructions

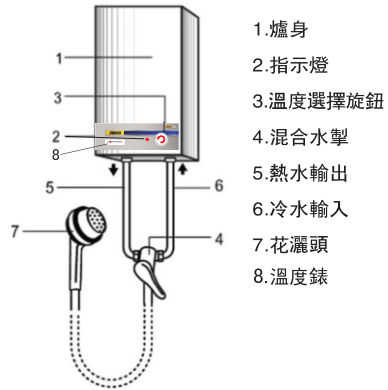
## 說明書簡介

謝謝閣下選購“金章”牌系列花灑式電熱水器。

- 使用此產品前，請先閱讀本安裝及使用說明書。
- 此熱水器能按照閣下要求，令爐內冷水加熱至75°C。
- 亦更可調至指定60°C固定水溫。
- 任何時間也可在混合掣提取冷水。
- 此熱水器需由認可人士根據當地安裝條例及以下安裝說明書及維修（包括水管及電線接駁）安裝。
- 此熱水器需安裝原裝附帶之配件，如需改裝，請先與註冊電業承辦商及持牌水喉匠進行。



## (1) 各部名稱



1. 爐身
2. 指示燈
3. 溫度選擇旋鈕
4. 混合水掣
5. 熱水輸出
6. 冷水輸入
7. 花灑頭
8. 溫度錶

## (2) 安裝原則

### 2a. 電源接駁

- 必須裝置電源開關掣（放浴室外），自動斷路保險掣及有效之水線。
- 先把熱水器之底蓋弄開（扭開螺絲釘），分開底蓋。
- 先把電線穿過底蓋之入線孔，引入電熱水器內（參閱圖）。
- 用電線夾把引入之電線固定。
- 並按照圖指示接駁電線及地線。
- 把爐底蓋重新安裝妥當。
- 只可接駁一處220V的交流電源。
- 產品需接駁合格20安培電力曲架斷路開關掣。
- 熱水器被挂在牆上及裝滿水后才可接駁電源。
- 使用標稱橫截面積 $\geq 2.5\text{mm}^2$ 的固定電纜布線。

### 2b. 掛牆和供水

- 安裝時，請用■6mm膠塞和■5mm木牙螺絲各4粒。
- 確定掛牆時，熱水器是垂直及牆身是平的。（如圖1）
- 當更換電熱水器，請檢查牆孔可否再使用。
- 接駁混合掣連合于水管上。（如圖2）
- 把熱水器挂在牆上，緊接水管至混合掣及熱水器。（如圖3）

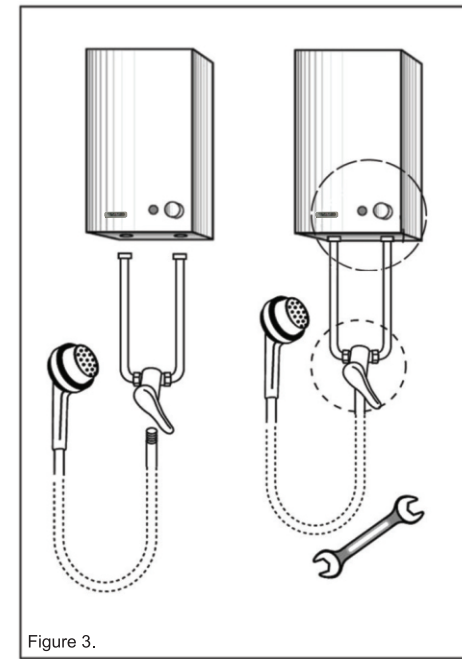
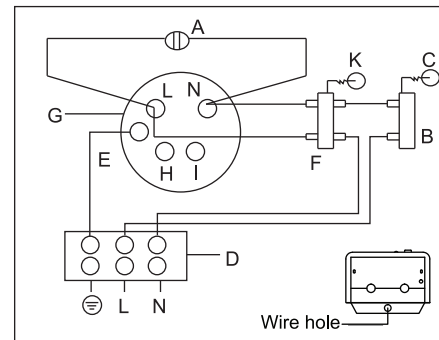


Figure 3.

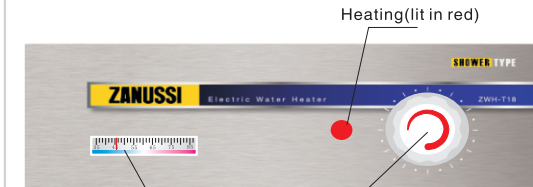
## (3) Wiring diagram and schematic drawing

- |                      |                             |
|----------------------|-----------------------------|
| A= power lamp        | F= thermal cut-out          |
| B= thermostat        | G= heating element          |
| C= thermostat sensor | H= hole for themal fuse     |
| D= terminal block    | I= thermostat sensor hole   |
| E= grounding         | K= terminal cut-out sensors |



## (4) Operating Instruction

Here are recommendations for you when using **ZANUSSI** Series Shower Type Electric Water Heater



Temperature display instrument

Knob switch



Turn clockwise to increase water temperature



Turn anti-clockwise to decrease water temperature

## Water Temperature Settings

Switch the heater on using the temperature selector knob. During heating, indicator lamp lights up and water drips out of the spout.

- The water will be heat up to 35°C.
- An "Economy" setting. The water will be heat up to 60°C.
- This setting is for very hot water. It will be heat up to 75°C.

## Saving Energy

At "●●" the water heater is at the most economical in the setting (approximate 60°C). At higher water temperatures, the heater chalk up more quickly and thus more heat islost.

## (5) Safety Precautions

- When the water flows out of the hot water tap much more slowly with tap fully open, this is an indication that the appliance requires dechalking. Call a specialist immediately otherwise the water heater could be subjected to high pressures (If necessary, unscrew and dechalk the shower adaptor or spout).
- The water outlet of a shower type electric water heater must remain unblocked.
- Under normal operation, small amount of steam/water may come out from the shower head.
- To prevent excessive high pressure from building up inside the tank and hence an explosion, do not install an on/off control valve at the water outlet or connect the outlet to a tub or a basin.
- Wipe the appliance and mixer tap with a damp cloth. Do not use aggressive or abrasive detergents.
- The water heater may only be repaired by qualified technicians. If the repairing job is carried out improperly, users may be placed at serious risk.
- In the event of a fault, disconnect the appliance from the mains (i.e. disconnect the fuse in the house wiring or switch off the double-pole switch).

## (6) Trouble Shooting

**Be reminded to switch power off when problems occur. Call for service immediately.**

Status	Cause	Action
Water cold, light bulbs off	1. No connection of main supply 2. Disconnection of internal wiring 3. Burn off of heating element/ thermostat	● Consult qualified technician ● Replace the heating element/ thermostat
Very low water temperature	1. Temperature knob position low 2. Loading of heating not suitable for such capacity	● Adjust to high temperature ● Contact the sole agent or consult qualified technician
Steam from shower head	Faulty thermostat	● Replace thermostat
Dripping	1. Burst of inner tank 2. Dripping from the valve of mixed tap	● Replace inner tank ● Replace mixer tap
Insufficient water out-flow	1. Block of piping 2. Insufficient water pressure	● Clean or replace inlet or outlet piping

## For engineers

- This appliance is an open tank to feed a single tap and its water tank must not be pressurized. It must be installed with suitable overflow fittings and in a frost-free room.
- The pressure inside the tank is relieved via the water Outlet, flexible hose and shower head to prevent Excessive high pressure from building up. It must only be fitted with an unblocked open outlet type water mixer and shower accessories (including flexible hose and shower head).
- After installing the appliance, please hand these operating instructions to the user and explain how the electric water heater operates.
- Explain to the customer that the appliance needs to be dechalked regularly.

**WARNING: This outlet acts as a vent and must not be connected to any tap or fitting other than those recommended by the manufacturer.**  
**You may get hurt if you directly flush your body with outlet water without mixing cold water in. Please try outlet water temperature before use.**

## (7) Specifications

Description	Model
<b>Shower type Electric Water Heater</b> with single lever mixer	ZWH-T18
Rated Voltage(kW/V)	3/220
Capacity(Gal/litre)	5/18
Shape	Rectangular
Dimensions(D×W×H mm)	260×305×570 mm
Weight(Empty Weight)	9kg
Temperature Setting	From Antifreeze to 75°C
Thermal Cutout	95°C
Pipe Connection	1/2 "

Water Supply Source: Main or water tank

Water Supply Pressure: 1,000kPa(10 bar) or below

Water Test Standard: 1,000kPa(10 bar)

## (8) Warranty

- One year for the whole product, three years for the parts (excludes the labor cost of 2<sup>nd</sup> and 3<sup>rd</sup> Year)
  - Ten years warranty for the inner tank.
- If there are any defects within the warranty period, our company will provide repairing service or exchanging a new one.

Warranty does not apply to defects resulting from following improper uses:

1. Improper installation or abnormal operation
2. Use unqualified and not originally-designed parts
3. Unauthorized modification or alteration
4. Operation outside of the published environment specification

This appliance is not intended for use by persons (including children) with reduced physical, sensory or mental capabilities, or lack of experience and knowledge, unless they have been given supervision or instruction concerning use of the appliance by a person responsible for their safety. Children being supervised not to play with the appliance.