

意大利

ZANUSSI

ZANUSSI 金章牌

全新科技速熱電熱水器

The Brand New Technology Speed Heat Electric Water Heater

中央系統儲水速熱式電熱水器
Unvented Thermal Storage Type
Speed Heat Electric Water Heater

ZWH-SH30

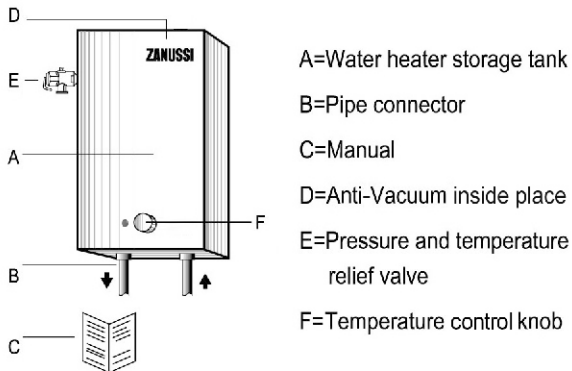
操作及安裝說明書

Operating and Installation Instructions

Introduction

Thanks for choosing **ZANUSSI New Technology Unvented Thermal Storage Type Speed Heat Electric Water Heater**

(1) Composition of the Unit



(2) Basic Installation Requirements

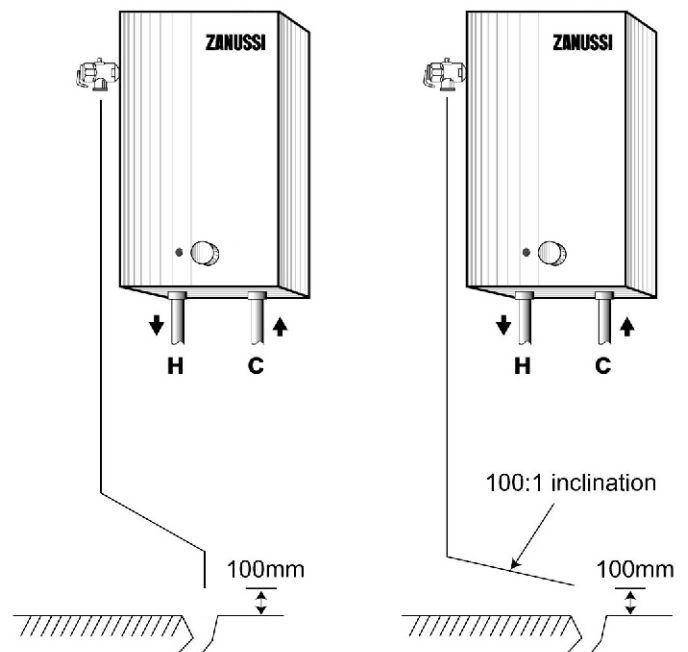
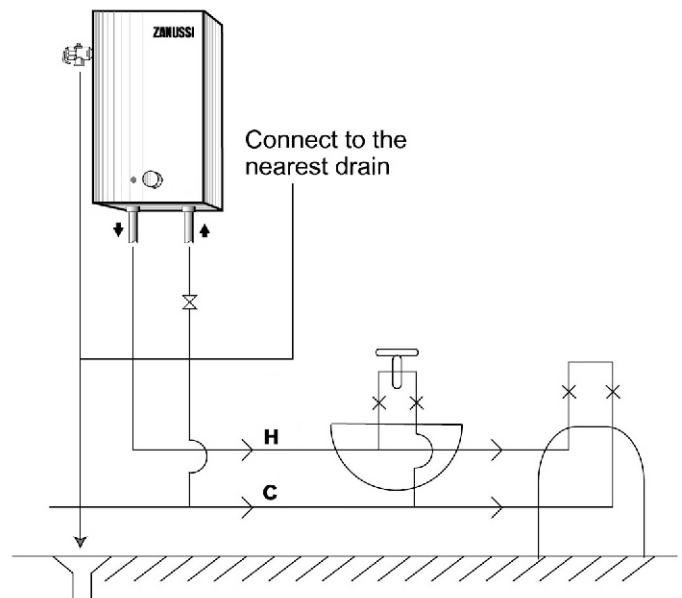
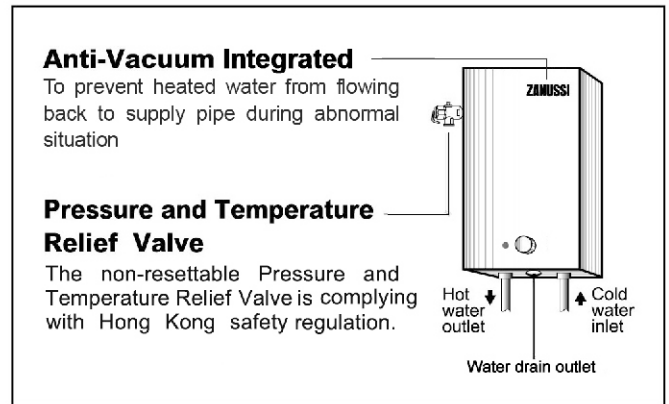
- Registered and safety electrical supply
- Registered and steady water supply
- Steady RCC or brick wall or equivalent
- This water heater must be installed (both aquatic and electrical installation), commissioned and serviced by an authorized personel, in accordance with the local wiring rules and these instructions.
- This installation must be completed with attached accessories by following the instructions. If need refit, contact with a registered electrical contractor and a licensed plumber.

2a. Installing the water heater

- Before installation, check if all the supplementary parts are ready, eg, warranty card, instructions manual and accessories, etc.
- Locate and drill mounting holes on the wall. Insert screw locks and screws to the holes.
- Mount the heater on the wall and connect the appliance to the power supply by a disconnecting device, such as 20A double-pole switch.
- Use the fixed cable that the cross area mark the signal of larger than or equal to 2.5mm².

2b. Installation of connecting the pipe and P/T Relief Valve

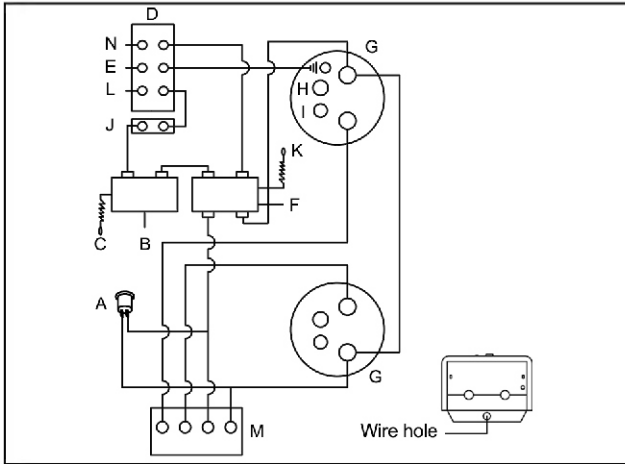
- Tighten and connect the drain pipe to the outlet of the pressure and temperature relief valve in a continuously downward direction and in a frost-free ambient.
- Fix the pipe outlet closely and toward to the nearest floor drain in upright position or lay on the floor with 100:1 tilt to the drainage.
- Place the drain outlet directly under the atmosphere environment.
- Keep a minimum of 100 mm distance between the floor and drain outlet.
- Do not block with deposits or connect with other pipe accessories to the drain opening.
- Open the drain plug and toward to the nearest floor drain if necessary.



H = hot water ⊗ = gate valve
 C = cold water † = mixer

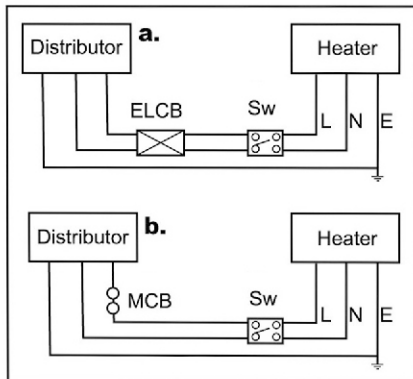
(3) Wiring diagram and schematic drawing

- | | |
|----------------------|--------------------------------------|
| A= power lamp | G= heating element |
| B= thermostat | H= pocket for thermal cut-out sensor |
| C= thermostat sensor | I= pocket for thermostat sensor |
| D= terminal block | J= current fuse |
| E= ground | K= thermal cut-out sensor |
| F= thermal cut-out | M= electronic control switch device |



a. Method for ELCB connection

b. Method for MCB connection



(4) Operating Instructions

Here are some recommendations for you when using the **ZANUSSI New Technology Unvented Thermal Storage Type Speed Heat Electric Water Heater**

Operating Instructions

- Ensure the heater installed in good condition and proper location.
- Open the hot water valve until water and air bubble come out through the outlet points, wait for 1 minute, then shut off the valve (For the first time installation or after repair).
- Turn on the power switch after the appliance is filled with water, water will be heated up and indicator light (red) will be lit.
- Indicator light (red) will be gone off when water approaches the preset temperature and the heater is ready to use.
- Take a comfortable shower bath. Firstly, turn the cold water knob on to open the cold water valve, cold water will flow through the outlet points. Secondly, open the hot water

knob slowly until the mixed water temperature suitable for your needs.

- During the bath, the temperature control switch device opening conditions, water flow is greater than 1.5L/min, the red indicator light.

Water Temperature Settings

- Switch on the appliance by turning the temperature knob to desired temperature. During heating the indicator lamp lights up.
 - Water will be heated up to about 35°C.
 - Under "Energy Efficiency" setting, water will be heated up to about 60°C.
 - Water will be heated up to about 75°C. Caution hot.

(5) Caution

- Under normal operation, water will drip out from the pressure and temperature relief valve during heating up.
- Under abnormal operation, if a large amount of water and steam flow through the safety valve during heating up or turning on the gate valve, the cause may be as follows:
 - A. Pressure and temperature relief valve is defective
 - B. Incoming water supply pressure is too high
 - C. Thermostat is defective leading to exhaust due to high temperature and pressure.
 Above situations are abnormal, actions must be taken as below:
 1. Switch off power supply
 2. Turn off the gate valve
 3. Call for service immediately

(6) User manual

- This appliance is not intended for use by person (including children)
 - A. With reduced physical sensory or mental capabilities or lack of experience and knowledge, unless they have been given supervision or instruction.
 - B. Concerning use of the appliance by a person responsible for their safety.
 - C. You may get hurt if you directly flush your body with water without mixing cold water, please try water temperature before use.

(7) Safety precautions

The following safety precautions must be taken when installing and using the electric water heater.

- When one of the following situation happen:
 1. Water inflow for the first time
 2. Water suspension
 3. Water outflow only, without water inflow to the water heater

Open the hot water switch, user need to wait for approx. 1 minute after water and a few air bubble flowing from the outlet, such to make sure the water heater storage tank is full.

- The pressure and temperature relief valve must be operated regularly to remove lime deposits and to verify that it is not blocked.
- The heater must be connected with its own specific power source, which must be installed in compliance with local wiring, earthing and safety regulation.
- Depending on local electrical regulations and law, you may need to install at least one of the following:
 - A suitable loading circuit breaker
 - An earth leak circuit breaker
- Make sure the unit is correctly and properly installed at all time. Do not place clothing or other materials over it .
- NEVER spill any kind of liquid into the unit. Should this happen, turn off power and contact your local technician for service.
- Always ensure that the power cord is in good condition, if the power cord is damaged in any way, it must be replaced by an authorized technician.
- Do not connect an extension cord or other appliances with the unit.
- If the appliance is damaged in any way, contact the following for service, do not attempt to repair the unit or replace accessories by yourself:
 - Local authorized service center
 - The dealer from whom you purchase the unit

- If the unit will not be used for a long time, disconnect the power supply. Please check before use, open the cold and hot water valve to ensure there is water in the tank, then turn on the power switch.
- Do not connect any unqualified or non-standard sanitary fittings to the water outlet. eg, unauthorized mixer, accessories etc.
- A double-pole switch should be complied with National Standard and installed outside the bathroom.

WARNING: Children should be supervised to ensure that they do not play with the appliance, Appliance must be earthed.do not install or alter any electric water heater by yourself.

- Manufacturer or agent shall not be responsible for damages resulted from incorrect installation or misuse of heater.
- Use tool to open the drainage if the water is to be drained off.

(8) Trouble Shooting

Be reminded to switch power off when problems occur. Call for service immediately.

Status	Cause	Action
Water cold, light bulbs off	<ol style="list-style-type: none"> 1. Disconnection of main supply 2. Disconnection of internal wiring 3. Burn off of heating element/ thermostat 4. Current fuse bum 	<ul style="list-style-type: none"> • Consult qualified technician for checking and repairing • Replace the heating element / thermostat • Replace current fuse
Very low water temperature	<ol style="list-style-type: none"> 1. Thermostat is located low temperature 2. Insufficient power of the appliance 	<ul style="list-style-type: none"> • Adjust to high temperature • Contact the sole agent or consult qualified technician for checking
Insufficient or no water out-flow	<ol style="list-style-type: none"> 1. Block of pipe 2. Insufficient water pressure 	<ul style="list-style-type: none"> • Clean pipe

(9) Specifications

Description	MODEL
Speed Heat Electric Water Heater	ZWH-SH30
Rated Power(kW)	3
Rated Voltage	220V~/50Hz
Capacity (Litre)	30
Dimensions (DxWxH mm)	325 x 335 x 650
Net Weight (kg)	14.8
Limiter	85℃
Shape	Rectangular shape
Temperature Range	From cold water to 75℃
Anti-Vacuum	Yes (Integrated)
Pipe Connection	1/2"

Water Supply Source : main or water tank
Water Supply Pressure : 700 kPa (7 bar) or below
Water Proof Standard : IPX1.

* All specifications are subject to change without notice

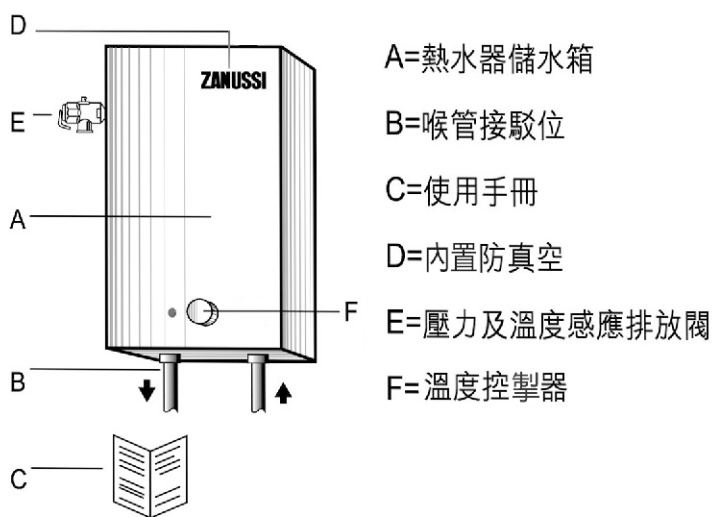
(10) Warranty

- One year for the whole product, three years for the parts (excludes the labor cost of 2nd and 3rd Year)
- Ten years warranty for the inner tank.
If there are any defects within the warranty period, our company will provide repairing service or exchanging a new one.

Warranty does not apply to defects resulting from following improper uses:

1. Improper installation or abnormal operation
2. Use unqualified and not originally-designed parts
3. Unauthorized modification or alternation
4. Operation outside of the published environment specification

(1) 各部名稱



(2) 安裝要求

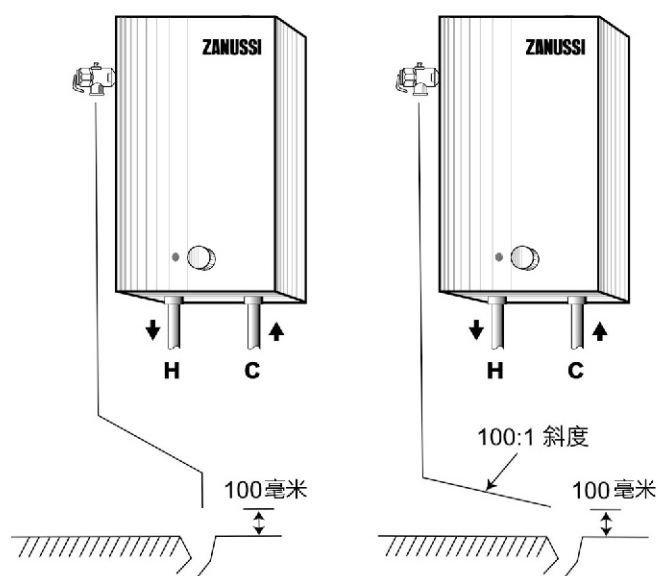
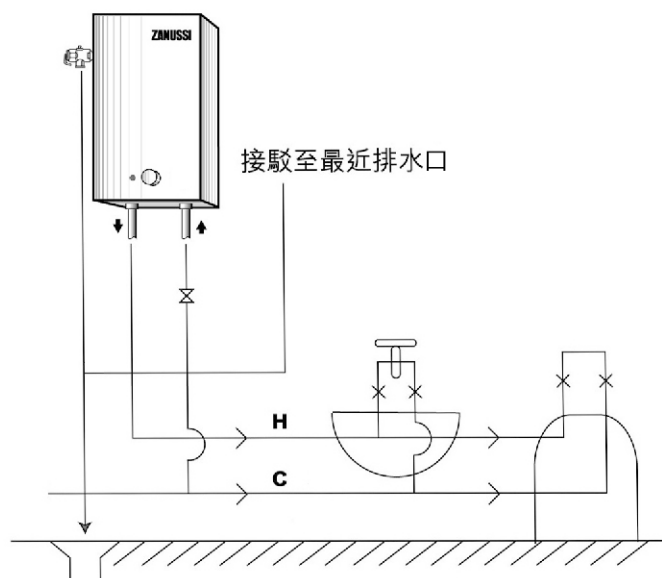
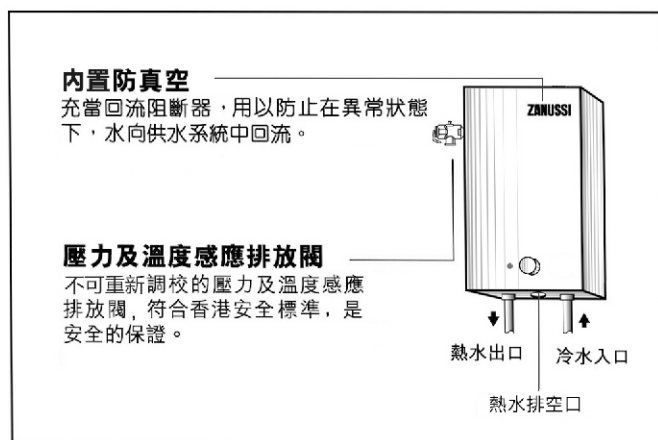
- 經批准及安全之供電系統
- 經批准及穩定之供水系統
- 穩固之混凝土或實心磚牆或同等建築物
- 此熱水器需由認可人士根據當地安裝條例及以下安裝說明書安裝(包括水管及電線接駁)、保養及維修。
- 此熱水器需安裝原裝附帶之配件，如需改裝，請先與註冊電業承辦商及持牌水喉匠進行。

2a. 安裝電熱水器說明

- 打開紙箱檢視保證書，說明書等附屬配件是否齊全。
- 在已選定的安裝位置上鑽孔，並於配合吊鐵鑰匙孔之孔位裝上螺釘。
- 熱水器掛在牆上及接駁合格20安培電力曲架斷路開關掣。
- 使用標準橫截面積 $\geq 2.5\text{mm}^2$ 的固定布線。

2b. 喉管與壓力及溫度感應排放閥安裝說明

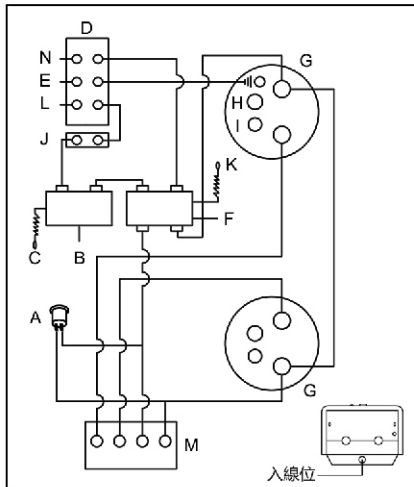
- 把排水導管接駁及收緊於壓力及溫度感應排放閥接口，其方向應向下及在無霜狀態。
- 安裝排水導管出口至最近之地面排水系統，導管需保持垂直及指向渠口系統，如導管部份需平放安裝，則導管需最小有100:1之斜度並指向渠口。
- 排泄管應保持與大氣相通
- 安裝導管出口處，需離地面或渠口最小100毫米距離，以免容易堵塞。
- 不能把導管出口用雜物堵塞及接駁其它配件。
- 如需排氣，請旋開外堵頭，把水引至排水口。



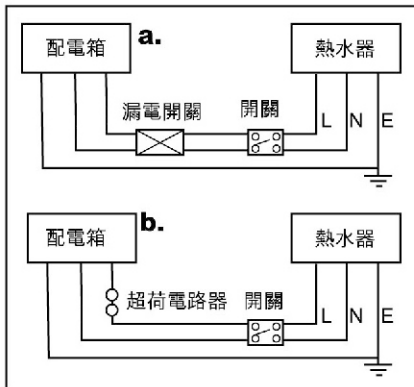
H = 熱水 X = 閘門
C = 冷水 ⊕ = 混合水掣

(3) 配線圖

- A = 指示燈
- B = 恆溫掣
- C = 溫度感應頭
- D = 接線座
- E = 地線
- F = 超溫斷路器
- G = 發熱芯
- H = 超溫感應孔
- I = 溫度感應孔
- J = 電流保險絲
- K = 超溫感應頭
- M = 電子控掣器



- a. 配有漏電斷路之接線方法
- b. 配有超荷斷路之接線方法



(4) 使用方法

現提供給閣下如何使用金章全新科技中央系統儲水速熱式電熱水器方法。

使用方法

- 確定此熱水器在正常狀態及正確位置上。
- 扭開熱水掣至冷水及氣泡從出水口排出約1分鐘，然後關掉水掣(此程序只適用於第一次安裝者或維修後之熱水器)。
- 熱水器安裝完後必須先進水，將水裝滿後才可通電開啟電源，將水加熱，此時紅色指示燈會亮。
- 當水加熱至預校溫度時，紅色指示燈會熄滅。
- 此時，閣下隨時可享用熱水浴，首先開啟冷水掣，然後慢慢開啟熱水掣，調校至適合水溫淋浴。
- 沐浴期間，在溫度控掣器開通情況下，進水流量大於1.5L/min時，紅色指示燈會亮起。

水溫調校

- 如須啟動電熱水爐，請轉動溫度選擇旋鈕至所需水溫。於加熱過程中，指示燈會亮起。
 - 水會被加熱至大約35°C
 - 最大能源效益的加熱水溫約60°C
 - 如將水加熱至約75°C，必須小心，以免造成燙傷

(5) 留意事項

- 當熱水器加熱時，泄壓導管將有少量滴水排放，此乃正常情況。

- 但當熱水器在加熱時或開動供水閥門時，發現大量水和氣體排放時，則可能有如下配件失效：

- A. 壓力及溫度感應排放閥損壞
 - B. 供水水壓超過正常壓力
 - C. 熱水器恆溫掣損壞，導致水溫上升壓力增加而排泄
- 發生以上情況是不正常的，使用者應及時採取如下行動：
1. 把電源掣關掉
 2. 把供水閥門關閉
 3. 立即通知代理商或分銷商進行維修

(6) 使用者指南

- 該熱水器不能供以下人使用(包括孩子)
 - A. 已缺少物理知覺或精神能力，或缺乏經驗和知識，除非他們被給了監督或指示。
 - B. 關於對熱水器的使用由監護人對他們的安全負責。
 - C. 為避免燙傷意外發生，未加入冷水時，請勿直接將出水花灑對向人體，必須確保出水溫度合適後方能使用。

(7) 使用注意事項

於使用及安裝此熱水器前，請閣下閱讀以下注意事項：

在以下任何情況下：

1. 當第一次安裝進水時
 2. 曾經出現停水
 3. 熱水器內只排水、沒有進水時
- 用戶須扭開熱水掣，直至水及氣泡從出水口排出約1分鐘，用以確保爐內已注滿水。
- 必須定期清理壓力及溫度感應排放閥內積聚之沉澱物，以免排氣口受到阻擋。
 - 此熱水器電源需接駁於獨立配電箱上，而安裝方法須根據當地接駁地線及安全條例執行。
 - 根據使用當地電工條例及當地法例，需接駁最少一款如下：
 - 適合之自動斷路掣
 - 適合之漏電斷路掣
 - 確定熱水器安裝在安全穩固及接駁無誤情況下工作，不可把衣物或雜物放在電熱水器上。
 - 不可濺灑任何液體於電熱水器內，如發生，請立即關掉電源及通知代理商檢查。
 - 經常檢查電源線，如電源線損壞，需由授權人士更換。
 - 不能用電源延伸座或其他家電設備與熱水器連接使用。
 - 如熱水器發生故障，不可自己進行修理或更換零件，應聯絡如下公司：
 - 授權維修中心
 - 熱水器購買時之分銷商
 - 如熱水器在長時間內停用時，建議把電源斷開，恢復使用時先進行檢查，打開冷熱水掣，確保水箱內有水後才可通電。
 - 不可使用不合格及不合乎標準之潔具配件，例如，未被認可之混合水掣，配件等。
 - 電力開關須使用符合國家標準的雙極電源開關掣，並且該掣必須裝置於浴室之外。

警告：本電器產品請置于兒童不可接觸的地方，須連接較良好的地線，切勿自行安裝或改裝。

- 若不按照製造商說明書指示安裝，或使用不當而引致一切損失，製造商及代理商均不負責。
- 如果要使熱水器內的水排空，必須使用工具打開排水塞。

(8) 異常狀況之處理

使用中發現異常狀況時，請將開關電源切掉，並洽請代理商服務中心人員至府上維修。

狀況	原因	執行
水不熱，指示燈不亮	1. 電源開關不妥 2. 內部電線不妥 3. 發熱芯或恆溫掣燒毀 4. 電流保險絲燒毀	• 找經驗技師檢查或修理 • 更換發熱芯或恆溫掣 • 更換電流保險絲
水溫太低	1. 恆溫掣在低溫度 2. 熱水器功率不夠	• 調高溫度 • 諮詢代理商或找經驗技師檢查
水流量減弱或無出水	1. 水管淤塞 2. 水壓不足	• 清理水管

(9) 性能表

內容	型號
中央系統儲水速熱式電熱水器	ZWH-SH30
額定功率 (千瓦)	3
額定電壓	220伏特~/50赫茲
容量 (升)	30
機身尺寸 (深x闊x高 毫米)	325 x 335 x 650
淨重 (千克)	14.8
限溫掣	85度
型狀	方形
溫度範圍	由冷水至75度水溫
防真空	有(內置)
出入水喉管	1/2"

入水要求：自來水或水箱供應
入水壓力：700 kPa (7 bar)或以下
防水系數為 IPX1

* 規格如有更改，恕不另行通知

(10) 維修及保養

- 機身保養1年，零件保養3年（第二年及三年之人工費不包括在內）
- 內膽保養10年（如在保養期內有任何產品配件問題，代理商將予以維修或更換。）

保養並不包括以下不正當使用而導致之損壞：

1. 不正常安裝或操作
2. 使用非原裝或不合格之配件
3. 未經授權下改裝或更換配件
4. 未依照說明書指示安裝及使用
5. 商業或社團性質使用



Sole Agent: **DAH CHONG HONG, LTD.**
8/F., DCH Building, 20 Kai Cheung Road, Kowloon Bay, Hong Kong
Tel: 2262 1625 Fax: 2814 7619
Home page: www.dch-ead.com

總代理: **大昌貿易行有限公司**
地址: 九龍灣啟祥道二十號大昌行集團大廈八樓
查詢電話: 2262 1625 傳真: 2814 7619
大昌貿易行集團網頁地址: www.dch-ead.com

維修服務熱線 : 8203 0298
Service Hotline : 8203 0298