

意大利

ZANUSSI

# ZANUSSI 金章牌

全新 "暖洋洋" 系列安全電熱水器

The All New "SH@@@P" Safety Electric Water Heater

中央系統儲水式電熱水器  
Unvented Central Storage Type  
Electric Water Heater



ZWH-25(N) ZWH-38(N)

操作及安裝說明書

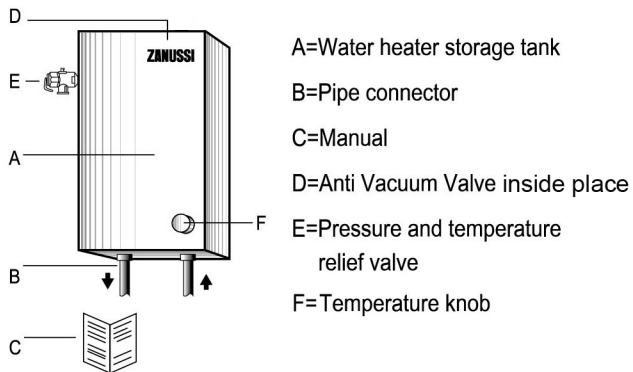
Operating and Installation Instructions



## Introduction

Thanks for choosing **ZANUSSI "SHOOP" Series Invented Thermal Storage Type Electric Water Heater**

### (1) Composition of the Unit



### (2) Basic Installation Requirements

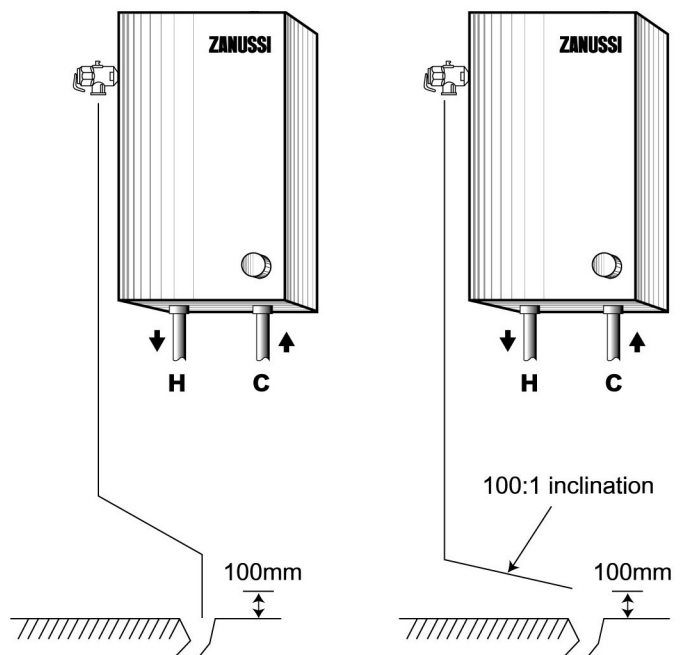
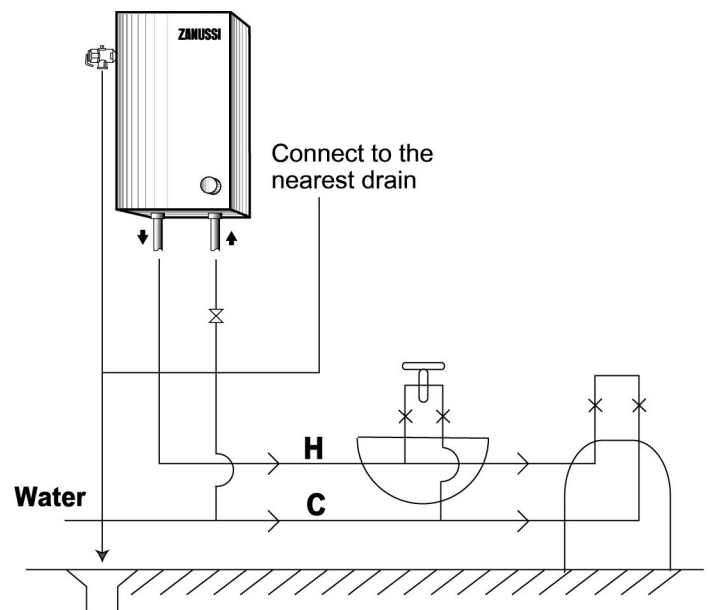
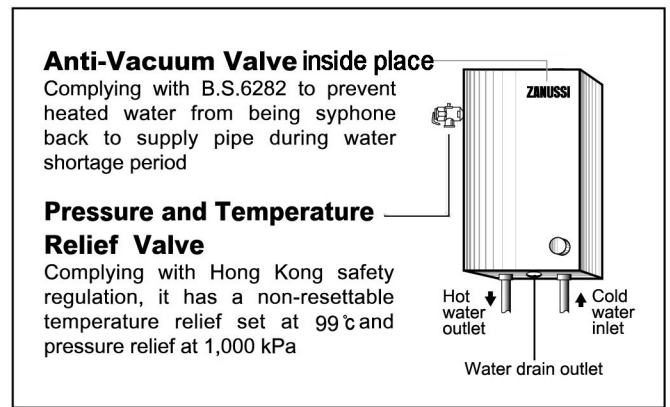
- Registered and safety electrical supply installation
- Registered and steadily water supply
- RCC or brick wall or equivalent
- This water heater must be installed (both aquatic and electrical installation), commissioned and serviced by a registered electrical contractor and a licensed plumber, in accordance with the local wiring rules and these instructions.
- This installation must be completed with attached accessories by following the instructions.
- Use the fixed wire that the cross area mark the signal of bigger than or equal  $2.5\text{mm}^2$

#### 2a. Installing the water heater

- Before installation, check if all the supplementary parts are ready, warranty card, loose mounting hardware, etc.
- Locate and drill mounting holes on the wall. Insert screw locks and screws to the holes.
- Mount the heater on the wall and connect the appliance to the power supply by a disconnecting device, such as 20A double-pole switch.

#### 2b. Connecting the pipe works

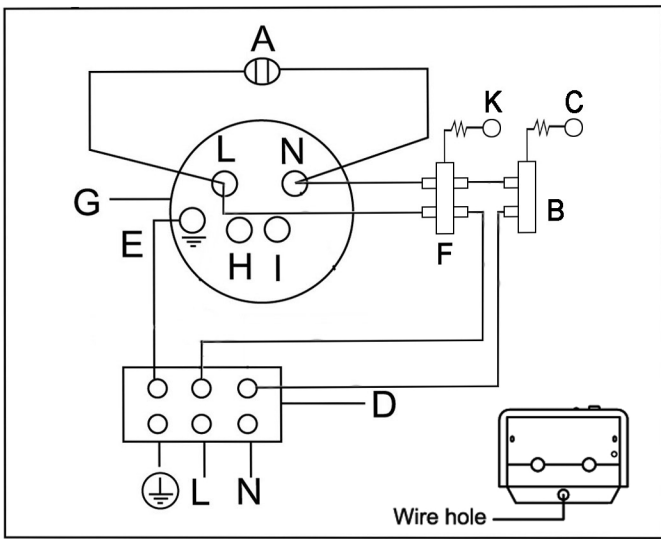
- Tighten and connect the drain pipe to the outlet of the pressure and temperature relief valve in a continuously downward direction and in a frost-free ambient.
- Fix the pipe outlet closely and toward to the nearest floor drain in upright position or lay on the floor with 100:1 fall to the drainage.
- Place the drain outlet directly under the atmosphere environment.
- Keep a minimum of 100 mm distance between the floor and drain outlet.
- Do not block or connect with other pipe accessories to the drain opening.
- Open the drain plug and toward to the nearest floor drain if necessary.



H = hot  
 C = cold  
 ⊗ = gate valve  
 ⊕ = mixer

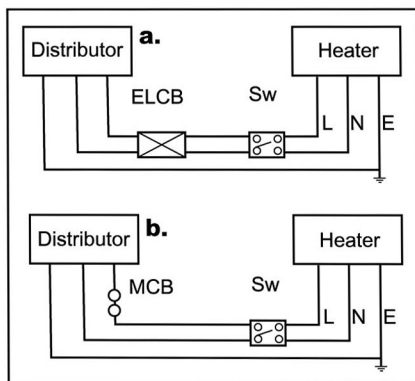
### (3) Wiring diagram and schematic drawing

- A= power lamp
- B= thermostat
- C= thermostat sensor
- D= terminal block
- E= ground
- F= thermal cut-out manual re-set
- G= heating element
- H= hole for thermal cut - out
- I= thermostat sensor hole
- K= thermal cut-out sensor



a. Method for ELCB connection

b. Method for MCB connection

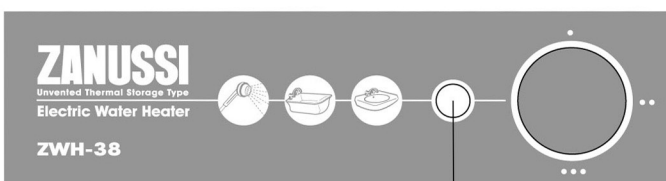


### (4) Operating Instruction

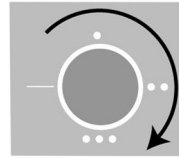
Here are some recommendations for you when using your **ZANUSSI "SH@@P" Series Unvented Thermal Storage Type Electric Water Heater**

#### The Front Panel

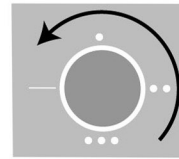
The front panel consists of temperature controller and one indication.



Heating (lit in red)



Turn clockwise to increase water temperature



Turn anti-clockwise to decrease water temperature

- Ensure the heater installed in good condition and properly.
- Open the hot water valve until water and air bubble comes out through the outlet points, stand for 1 minute, then shut off the valve (For the time installer or after repairs).
- Turn on the power switch, water will heat up and indicator light (red) lit.
- Indicator light (red) will go off when water approaches the preset temperature and the heater is ready to use.
- Take a comfortable shower bath. Firstly, turn the cold water knob on to open the cold water valve, cold water will flow through the outlet points. Secondly, open the hot water knob slowly until the mixed water temperature suitable for your needs.

### (5) Caution

- Under normal operation, water will drip through the pressure and temperature relief valve during heating up, no action is necessary.
- Under abnormal operation, if water flows through the safety valve during heating up or turning on the gate valve, the cause may be as follows:

- A. Pressure and temperature relief valve is defective
- B. Incoming water supply pressure too high
- C. Thermostat is defective

Actions must be taken as below:

1. Switch off power supply
2. Turn off the gate valve
3. Call for service immediately

### (6) Followings in the manual

- This appliance is not intended for use by persons (including children)
  - A. With reduced physical, sensory or mental capabilities or lack of experience and knowledge, unless they have been given supervision or instruction.
  - B. Concerning use of the appliance by a person responsible for their safety.

## (7) Safety precautions

The following safety precautions must be taken when installing and using your electric water heater.

- To ensure the anti-vacuum switch back to its original position in the anti-vacuum valve, you should open the anti-vacuum valve and press a switch cap twice when the following situations happened:
  1. Water inflow for the first time
  2. Shortage of water supply
  3. Water outflow only, without water inflow in water heater
- The pressure and temperature relief valve must be operated regularly to remove lime deposits and to verify that it is not blocked.
- The heater must be connected with its own specific power source, which must be installed in compliance with local wiring, earthing and safety regulation.
- Depending on local regulation and your specific installation, you may need to install:
  - A suitable loading circuit breaker
  - An earth leak circuit breaker
- Make sure the unit is correctly and properly installed at all time. Do not place clothing or other materials over it .
- NEVER spill liquid of any kind into the unit. Should this happen, turn off power and contact your local technician for service.

- Always ensure that the power cord is in good condition, if the power cord is damaged in any way, it must be replaced by an authorized technician. Do not use an extension cord with this or other appliances.
- Do not attempt to repair the unit by yourself, if it is damaged in any ways contact:
  - Local service center
  - The dealer from whom you purchase the unit
- If the unit will not be used for a long time, disconnect the power supply.
- Do not connect any non-standard sanitary fittings to the water outlet.
- A switch intended to disconnect the water heater from the supply should disconnect all poles and should have a contact separation of at least 3 mm (complied with IEC/ BSEN standard).

**WARNING:** Children should be supervised to ensure that they do not play with the appliance, Appliance must be earthed .do not install or alter any electric water heater.

- Manufacturer or agent shall not be responsible for damages resulted from incorrect installation or misuse of heater.
- Use appliance to open the drainage if the water is to be drained off.

## (8) Trouble Shooting

**Be reminded to switch power off when problems occur. Call for service immediately.**

Status	Cause	Action
Water cold, light bulbs off	1. No connection of main supply 2. Disconnection of internal wiring 3. Burn off of heating element/ thermostat	<ul style="list-style-type: none"> <li>• Consult qualified technician</li> <li>• Replace the heating element / thermostat</li> </ul>
Very low water temperature	1. Temperature knob position low 2. Loading of heating not suitable for such capacity	<ul style="list-style-type: none"> <li>• Adjust to high temperature</li> <li>• Contact the sole agent or consult qualified technician</li> </ul>
Insufficient water out-flow	1. Block of piping 2. Insufficient water pressure	<ul style="list-style-type: none"> <li>• Clean or replace inlet or outlet out-flow piping</li> </ul>

## (9) Specifications

Description	MODEL	
	ZWH-25 (N)	ZWH-38 (N)
Central Type Electric Water Heater		
Power Rating (kW)	3	3
Voltage	220/50Hz	220/50Hz
Capacity (Gal/litre)	6.5 / 25	10 / 38
Dimensions (DxWxH mm)	310×310×685 ( Rectangular )	358×346×665 ( Rectangular )
Dimensions (DiaxH mm)	305 x 640 ( Cylinder shape )	355 x 640 ( Cylinder shape )
Weight (kg)	12 ( Empty )	15 ( Empty )
Limiter	85 °c	
Shape	Rectangular shape / Cylinder shape	
Pressure and Temperature Relief Valve	99 °c / 1,000 kPa	
Temperature Setting	From antifreeze to 75 °c	
Anti-Vacuum Valve Inside place	Yes	
Pipe Connection	1/2"	

Water Supply Source : main or water tank  
 Water Test Pressure : 2,000 kPa (20 bar)  
 Water Supply Pressure : 900 kPa (9 bar) or below  
 The degree of protection against harmful ingress of water is IPX1.

All specifications are subject to change without notice

\* There are two rating, 3kW & 4kW, in this model for selection.  
 The design, construction and outlook remain the same.

## (10) Warranty

- One year for the whole product, three years for the parts (excludes the labor cost of 2<sup>nd</sup> and 3<sup>rd</sup> Year)
- Ten years warranty for the inner tank.

If there are any defects within the warranty period, our company will provide repairing service or exchanging a new one.

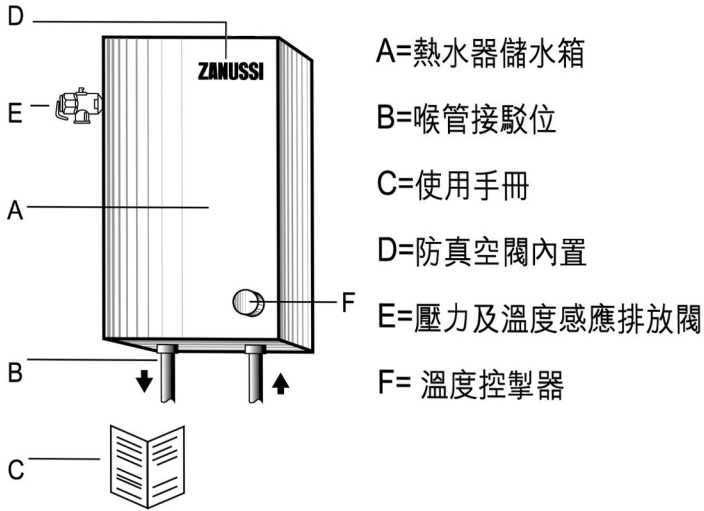
Warranty does not apply to defects resulting from following improper uses:

1. Improper installation or abnormal operation
2. Use unqualified and not originally-designed parts
3. Unauthorized modification or alternation
4. Operation outside of the published environment specification

## 說明書簡介

謝謝閣下選購金章牌全新"暖洋洋"系列中央系統儲水式電熱水器。

### (1) 各部名稱



### (2) 安裝要求

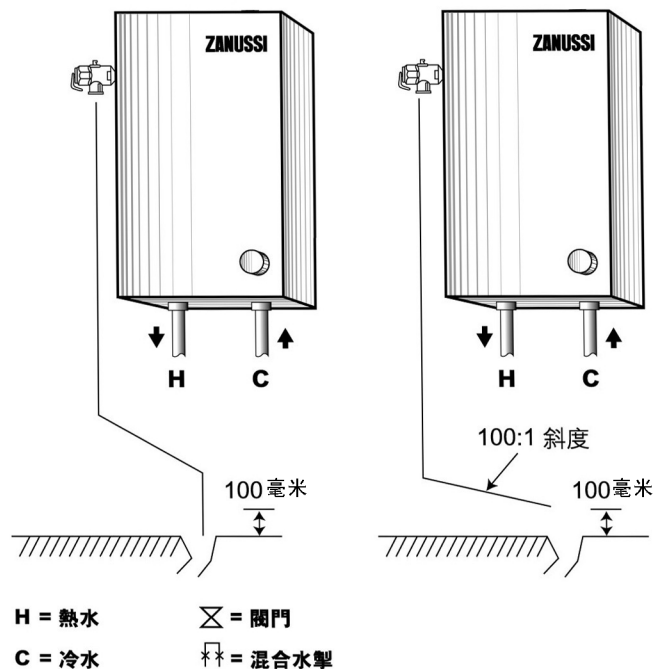
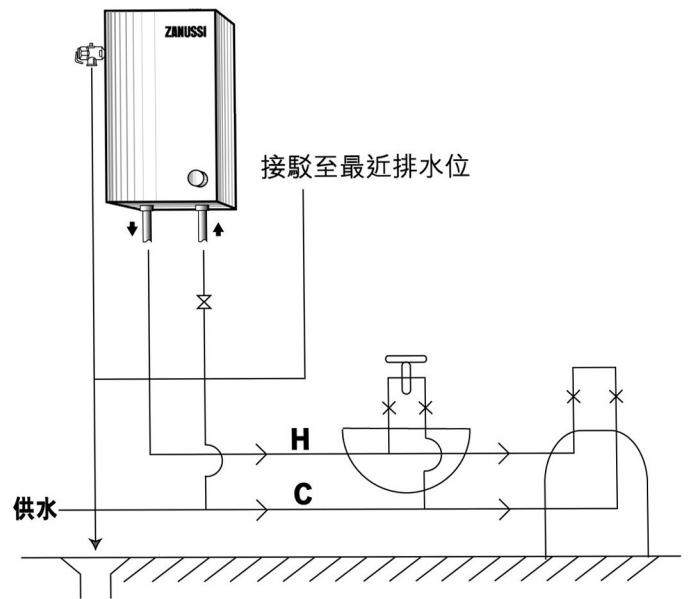
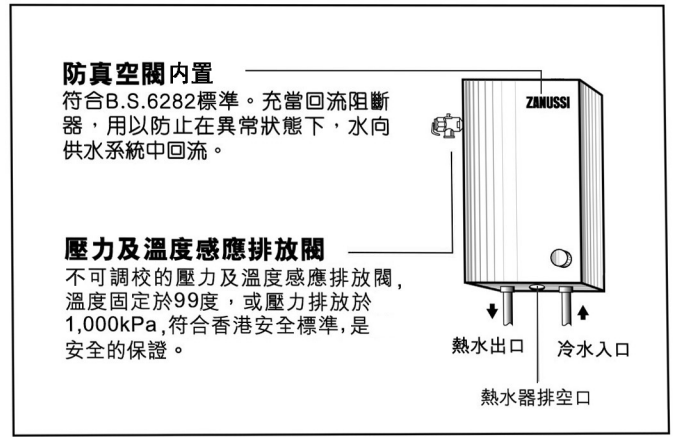
- 經批准及安全之供電系統
- 經批准及穩定之供水系統
- 穩固之混凝土或實心磚牆或同等建築物
- 此熱水器需由認可人士根據當地安裝條例及以下安裝說明書及維修(包括水管及電線接駁)安裝。
- 此熱水器需安裝原裝附帶之配件，如需改裝，請先與註冊電業承辦商及持牌水喉匠進行。
- 使用標準橫截面積 $\geq 2.5\text{mm}^2$ 的固定佈線。

#### 2a. 安裝電熱水器說明

- 打開紙箱檢視保證書，說明書等附屬配件是否齊全。
- 在已選定的安裝位置上鑽孔，並於配合吊鐵鑰匙孔之孔位裝上螺釘。
- 熱水氣掛在牆上及接駁與合格20安培電力曲架斷路開關掣。

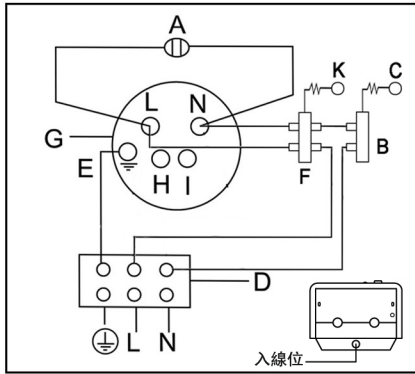
#### 2b. 喉管與壓力及溫度感應排放閥安裝說明

- 把排水導管接駁及收緊於壓力及溫度感應排放閥接口，其方向應向下及在無霜狀態。
- 安裝排水導管出口至最近之地面排水系統，導管需保持垂直及指向渠口系統，如導管部份需平放安裝，則導管需最小有100:1之斜度並指向渠口。
- 排泄管應保持與大氣相通
- 安裝導管出口處，需離地面或渠口最小100毫米距離，以免容易堵塞。
- 不能把導管出口用雜物堵塞及接駁其它配件。
- 如需排氣，請旋開外堵頭，把水引至排水口。

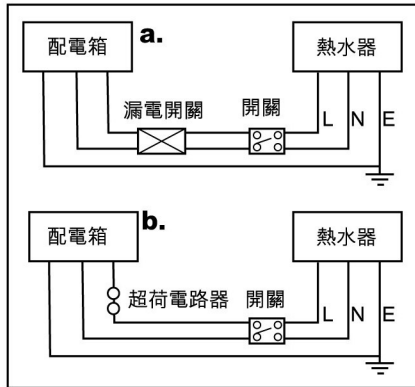


### (3) 配線圖

- A = 指示燈
- B = 恆溫掣
- C = 溫度感應頭
- D = 接線座
- E = 地線
- F = 超溫斷路器
- G = 發熱芯
- H = 超溫感應孔
- I = 溫度感應孔
- K = 超溫感應頭



- a. 配有漏電斷路之接線法
- b. 配有超荷斷路之接線法



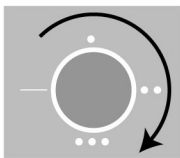
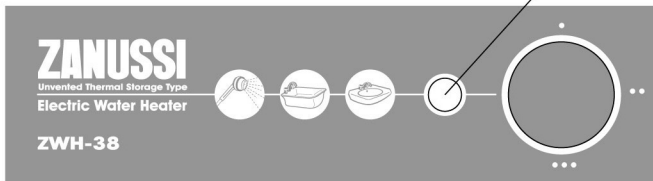
### (4) 使用方法

現提供給閣下如何使用**金章牌全新"暖華牌"**系列中央系統式電熱水器方法。

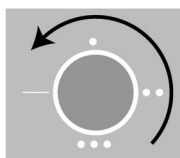
#### 面板使用方法

面板裝有水溫控制掣及一個指示燈

加溫中(紅燈長亮)



右旋增加水溫



左旋降低水溫

- 確定此熱水器在正常狀態及正確位置上。
- 旋開熱水掣至冷水及氣泡從出水口排出約1分鐘，然後關掉水掣(此程序只適用於第一次安裝者或維修後之熱水器)。
- 熱水器安裝完後必須先進水，將水裝滿後才可通電開啟電源，將水加熱，此時紅色指示燈會亮。
- 當水加熱至預校溫度時，紅色指示燈會熄滅。
- 此時，閣下隨時可享用熱水浴，首先開啟冷水掣，然後慢慢開啟熱水掣，調校至適合水溫淋浴。

### (5) 留意事項

- 當熱水器加熱時，泄壓導管將有少量滴水排放，此乃正常操作，用戶毋須採取行動。
- 但當熱水器在加熱時或開動供水閥門時，發現大量水和氣體排放時，則可能有如下配件失效：
  - A. 壓力及溫度感應排放閥損壞
  - B. 供水水壓超過正常壓力
  - C. 熱水器恆溫掣損壞，導致水溫上升壓力增加而排泄
 發生以上情況是不正常的，使用者應及時採取如下行動：
  1. 把電源掣關掉
  2. 把供水閥門關閉
  3. 立即通知代理商或分銷商進行維修

### (6) 使用者指南

- 這器具不能供以下人使用(包括孩子)
  - A. 已缺少物理知覺或精神能力,或缺乏經驗和知識,除非他們被給了監督或指示。
  - B. 關於對器具的用途由監護人對他們的安全負責。

### (7) 使用注意事項

於使用及安裝此熱水器前，請閣下閱讀以下注意事項：

在以下任何情況下：

1. 當第一次安裝進水時，或
  2. 曾經出現停水，或
  3. 熱水器內曾只排水、沒有進水時，進水時用戶須旋開熱水掣至冷水及氣泡從出水口排出約1分鐘，用以確保爐內已注滿水。
- 必須定期清理壓力及溫度感應排放閥內積聚之沈澱物，以免排氣口受到阻擋。
  - 此熱水器電源需接駁於獨立配電箱上，而安裝方法須根據當地接駁地線及安全條例執行。
  - 根據使用地電工條例及當地法例，需接駁最少一款如下：
    - 適合之自動斷路掣
    - 適合之漏電斷路掣
  - 確定熱水器安裝在安全穩固及接駁無誤情況下工作，不可把衣物或什物放在電熱水器上。
  - 不可濺灑任何液體於電熱水器內，如發生，請即關掉電源及通知代理商檢查。
  - 經常檢查電源線，如電源線損壞，需由授權人士更換。
  - 不可能用電源延伸座或其他家電設備與熱水器連接使用。
  - 如熱水器發生故障，不可自己進行修理或更換零件，應聯絡如下公司：
    - 授權維修中心
    - 熱水器購買時之分銷商
  - 如熱水器在長時間內停用時，建議把電源斷開，恢復使用時先進行檢查，打開冷熱水掣，確保水箱內有水後才可通電。
  - 不可使用不合格及不合乎標準之潔具配件，例如，未被認可之混合水掣，配件等。
  - 電力開關須使用符合國家標準的雙極電源開關掣，並且該掣必須裝置於浴室之外。
- 警告：本電器產品請置于兒童不可接觸的地方，須連接較良好的地線，切勿自行安裝或改裝。**
- 若不按照製造商內說明書指示安裝，或使用不當而引致一切損失，製造商及代理商均不負責。
  - 如果要使熱水器內的水排空，必須使用工具打開排水塞。

## (8) 異常狀況之處理

使用中發現異常狀況時，請將開關電源切掉，並洽請代理商服務中心人員至府上維修。

狀況	原因	執行
水不熱，指示燈不亮	1. 電源開關不妥 2. 內部電線不妥 3. 發熱芯或恆溫掣燒毀	• 找經驗技師檢查或修理 • 更換發熱芯或恆溫掣
水溫太低	1. 恆溫掣在低溫度 2. 熱水器容量功率不夠	• 調高溫度 • 諮詢代理商或找經驗技師檢查
水流量減弱或無出水	1. 水管淤塞 2. 水壓不足	• 清理水管

## (9) 性能表

內容	型號	
中央系統儲水式電熱水器	ZWH-25(N)	ZWH-38(N)
額定功率 ( 千瓦 )	3	3
電壓	220/50Hz	220/50Hz
容量 ( 加侖 / 升 )	6.5 / 25	10 / 38
機身尺寸 ( 深 x 闊 x 高 毫米 )	310 × 310 × 685 ( 方形 )	358 × 346 × 665 ( 方形 )
機身尺寸 ( 直徑 x 高 毫米 )	305 x 640 ( 圓形 )	355 x 640 ( 圓形 )
重量 ( 千克 )	12 ( 無水 )	15 ( 無水 )
限溫掣	85 °C	
型 狀	方形 / 圓形	
壓力及溫度感應排放閥	99 °C / 1,000 kPa	
溫 度	由冷水至75度水溫	
防真空閥內置	有	
出入水喉管	1/2"	

規格如有更改，恕不另行通知

入水要求：自來水或水箱供應  
入水壓力：900 kPa (9 bar) 或以下

試水壓力：2,000 kPa (20 bar)  
防水系數為 IPX1

\* 此型號有3千瓦及4千瓦可供選擇，除火數不同外，其他功能皆相同。

## (10) 維修及保養

- 機身保養1年，零件保養3年 ( 第二年及三年之人工費不包括在內 )
- 內膽保養10年 ( 如在保養期內有任何產品配件問題，代理商將予以維修或更換。 )

保養並不包括以下不正當使用而導致之損壞：

1. 不正常安裝或操作
2. 使用非原裝或不合格之配件
3. 未經授權下改裝或更換配件
4. 未依照說明書指示安裝及使用
5. 商業或社團性質使用



Sole Agent: **DAH CHONG HONG, LTD.**

8/F., DCH Building, 20 Kai Cheung Road, Kowloon Bay, Hong Kong

Tel : 2262 1625 Fax : 2814 7619

Home page: [www.dch-ead.com](http://www.dch-ead.com)

總代理: **大昌貿易行有限公司**

地 址: 九龍灣啟祥道二十號大昌行集團大廈八樓

查詢電話: 2262 1625 傳真: 2814 7619

大昌貿易行集團網頁地址: [www.dch-ead.com](http://www.dch-ead.com)

**維修服務熱線 : 8203 0298**  
**Service Hotline : 8203 0298**