

ZANUSSI

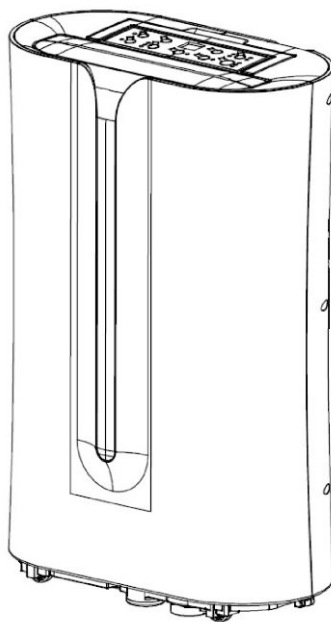
INSTRUCTION & OPERATION & MANUAL

ZD228DA

IMPORTANT NOTICE

To prevent damage and voiding your warranty. Please place the unit in its right position for a minimum of two hours before operating.

For best result from your portable dehumidifier please read this instruction manual carefully and save it for future reference.

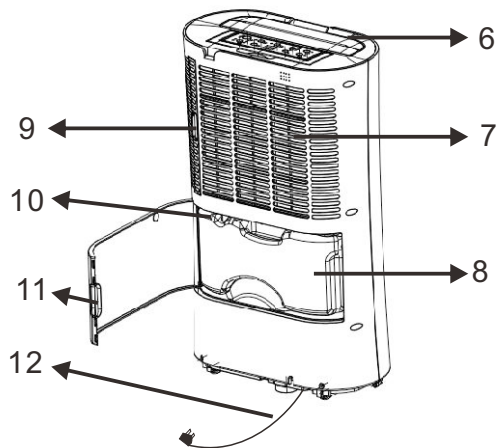
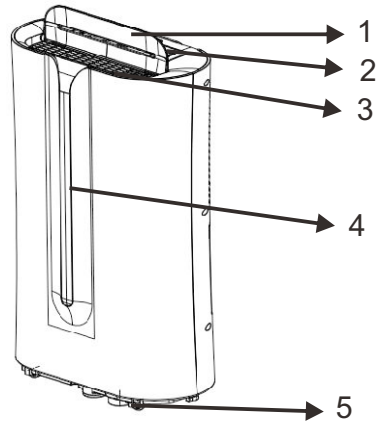


IMPORTANT

- ◆ Leave the appliance to stand for two hours before connection to the mains supply after transport or when it has been tilted (e.g. during cleaning).
- ◆ Before connecting the appliance, please check if the voltage indicated at the type plate (rear side of appliance) corresponds to mains voltage in your home.
- ◆ Connect the appliance to an earth wall socket only.
- ◆ Never pour or spray water over the appliance.
- ◆ Do not remove the mains plug from the wall socket while the appliance is switched on.
- ◆ When moving the appliance: first switch off, then unplug and empty the water tank.
- ◆ Allow a free space of 20 cm around air inlet of the appliance.
- ◆ Do not insert any object into the air inlet or outlet openings.
- ◆ Do not place the dehumidifier near a heating source (esp. a radiator) Or indirect sunlight. Ensure that the appliance does not become hot.
- ◆ Empty the water tank regularly. (In extreme conditions the water tank may be full after a few hours operation.)
- ◆ Clean the air inlet filter if it becomes contaminated : the appliance is most effective when the filter is clean.
- ◆ Please do not expect the air dehumidifier to be effective when too many doors or windows are opened or when something in the room is producing a lot of humidity.
- ◆ The air dehumidifier will come into effect immediately. However, the reduction of humidity may hardly be measurable during the first few days.
- ◆ If the supply cord is damaged, it must be replaced by the manufacturer, its service agent or similarly qualified persons in order to avoid a hazard.

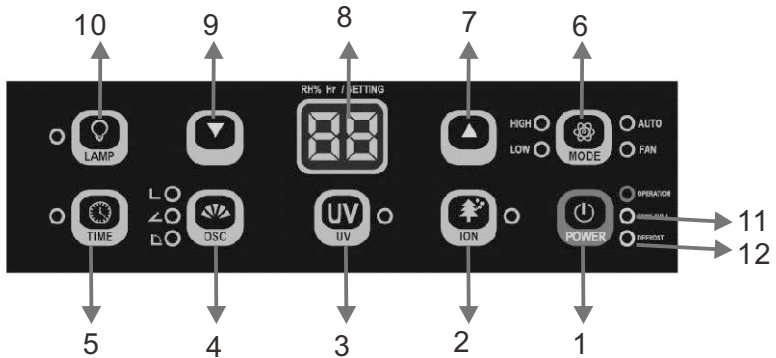
GENERAL DESCRIPTION

- 1.Oscillation louver
- 2.Control panel
- 3.Air outlet
4. Lamp
- 5.Wheel
- 6.Handle
- 7.Air inlet
- 8.Water tank
- 9.Filter
- 10.Continuous drain port
- 11.Back cover
- 12.Power cord



CONTROL PANEL

- 1.Power
- 2.Ion
- 3.UV
- 4.Oscillation
- 5.Time
- 6.Mode
- 7.UP key
- 8.Display
- 9.DOWN key
- 10.Lamp
11. Water full indicator
- 12.Defrost indicator



CONTROL PANEL

Power: Starts or Stops the appliance

MODE Control: Select the functions of the unit for: AUTO、HIGH、LOW and FAN.

The appliance will go AUTO function the first time it is switched on and remains in this mode until other type of programming is chosen.

Depending on your relative humidity conditions, turn the fan speed switch to high or low.

LAMP: Start the appliance ,the lamp will come on automatically.

Depending on the humidity condition,the color of lamp will be changed accordingly.

Red color means high humidity

Green color means comfortable

Orange color means dry

Press "LAMP" key , the lamp will be off.

Humidity Setting:Press Up / Down key to select the desired relative humidity level,default relative humidity is 55%.

Relative humidity 35% is selected, the compressor will not stop until water tank full.

UV(Sterilization function): To select "UV", press the "UV" key and the light will come on.

FAN(Ventilation Key):Press MODE key to select FAN, and "FAN" indicator light comes on.

DEFROST:When the temperature is under 16 °C, the evaporator will start to frost and affect the dehumidifying result.

This unit will defrost automatically once each hour, and the defrost indicator will light up.

TANK-FULL: If the water tank is full, the indicator light comes on and flash.

ION. (ionization function): To select "ION", press the "ION" key and the light will come on. Anion can refresh air, it's so called air vitamin.

OSC. (oscillating key): Press MODE key to select OSC, and "OSC" light comes on.

There are three different directions, 45, 90 degree and universal, the louvers will move or fixed as selected position.

Carbon filter(deodor function): Take out the carbon filter from bag and insert it on the filter . See picture below Suggest to change the carbon filter every 3 months, it always keep the room fresh.

TIME (timer function) press timer to program time and "TIMER" light comes on while timer is programmed.

Before programming, make sure that the timer function has not been activated (the light must be off)!

The following timer programs are available.

a)Delayed power-on function (the appliance is in stand-by status)

USE key "UP" and "DOWN" to set the time period (0~24 hours)

The appliance will start once time reaches setting value.

b)Delayed power-off function (the appliances is in working status)

The appliance will stop once time reach setting value.

Specifications:

| | |
|----------------------|-------------------------|
| Model No.: | ZD228DA |
| Dehumidify capacity: | 22 L/Day (30°C RH80%) |
| | 12 L/Day (26.7°C RH60%) |
| Rated Voltage: | AC 220 ~ 240V |
| Rated Frequency: | 50 Hz |
| Input power: | 375W (30°C RH80%) |
| | 320W (26.7°C RH60%) |
| Tank Capacity: | 4 L |
| Air Volume: | 130m ³ /h |
| Noise Level: | ≤ 39dB(A) |
| Refrigerant : | R134a /180g |
| Net weight: | 15.4 kgs |
| Suction pressure: | 0.5MPa |
| Discharge pressure: | 1.5MPa |

PUTTING INTO OPERATION

Place the air dehumidifier on the flat and even floor. Allow 20 cm (8") free space around the appliance.

Select a place away from a heat source and not in the direct sunlight. Preferably close to an earth wall socket.

Then turn the humidity on , set the desired humidity and the air dehumidifier starts running .

Note : if the pilot to illuminate, please check if the water tank is not correctly seated, pull out the water tank gently and put it back again firmly.

According to local humidity conditions, turn the model for high or low fan speed.

EMPTYING THE WATER TANK

Empty the water tank regularly. When full, the air dehumidifier switched off automatically and tank full pilot comes on.

- Open back cover
- Lifts slightly and pull out carefully.
- Empty the water tank.
- Put the water tank back.
- The air dehumidifier can drain water continuously with 13 mm diameter drainage house.

Do not move the appliance if the water tank is removed.

REPLACEMENT AND MAINTENANCE OF AIR FILTER

Check the air filter regularly. Clean as soon as it has become dirty. If the air passage through the filter is blocked, the air humidifier cannot function properly.

- Hold the air filter by the handles and pull outward.
- For easy cleaning of filter screen, use a vacuum cleaner or rinse lightly with water (no chemicals).
- Do not forgot to re-install the filter after cleaning.
- To ensure best performance clean air filter every 1-2 weeks.

CLEANING THE APPLIANCE

1. Switch off and remove the mains plug from the socket.
2. Empty the water tank.
3. Clean the air dehumidifier with a damp cloth, if required with some liquid detergent.
Do not use sources, abrasives, acetone, gasoline petrol etc.
Leave the appliance to stand for one hour before connecting to the mains supply,
if it has been tilted or knocked against during cleaning.

AUTOMATIC SWITCH-OFF

When the power is turned on, the air dehumidifier will continually monitor the humidity level in the room.

As soon as the humidity level falls below the selected level the compressor will automatically switch on again the humidity exceeds the selected level.

For optimum safety, the appliance will also switch off automatically.

1. If the water tank is full (approx. 4 liters.)
2. If the water tank is removed.

HOW THE AIR DEHUMIDIFIER WORKS

The fan draws the humid air first through the air inlet filter and the through the metal radiator. A compressor cools this radiator.

The water compensated and drips into the water tank. The dried air is expelled into the room.

The air dehumidifier can automatically maintain the relative humidity at a pre-selected level in rooms).

up to 22 liters of water per day (30 °C /86 °F, relative humidity = 80%).

The air filter removes and collects airborne dust.

Whilst in operation, the appliance produces some heat which may raise the room temperature by 1~2°C (or approx. 3 °F)

HOW THE AUTO DEFROST WORKS

When the temperature is under 16 °C, the evaporator will start to frost and affect the dehumidifying result.

This unit will defrost automatically once each hour, and the defrost pilot indicator will light up.

HOW TO USE CONTINUOUS DRAINAGE

To use continuous drainage connect the PVC pipe from the continuous drainage port located on the back cover of the unit.

Ensuring the hose is directed downwards. Allowing water to flow by gravity to an external drain.

TROUBLE SHOOTING

When the following problems occur, please contact local sellers and customer service:

1. When the fuse breaker and fuse jump off or fused.
2. When water and other dirty get into the machine.
3. When the power line or the plug is abnormally hot.

1. When you need to call the customer services

Anything Wrong?

....., please check your machine as the following steps(only the service person can open the side door)

| ISSUES | Please check as following |
|---|--|
| The operation switch is on, but the machine is not operating | <ol style="list-style-type: none"> 1. Is the water tank in the right position? 2. Is the power plug inserted right position? 3. Is the fuse broken? 4. Is the power off? |
| The dehumidification amount is too low. | <ol style="list-style-type: none"> 1. Is the front filter net dirty? 2. Is the interior temperature and the humidity too low? 3. Is the air outlet and air inlet jamed? |
| Long time operation can not reach the suitable humidity condition | <ol style="list-style-type: none"> 1. Does the door or the windows too widely open? 2. Is there any generated water vaporator? 3. Is the interior space too big? |
| When the machine is making huge noise | <ol style="list-style-type: none"> 1. Is the floor flat and hard? 2. Is the dehumidifier in the right position. |
| The lamp is continuously on | <ol style="list-style-type: none"> 1. Is the temperature and humidify is damaged or loose? |

Waste electrical products should not be disposed of with household waste. Please recycle where facilities exist. Check with your Local Authority or retailer for recycling.



ZANUSSI

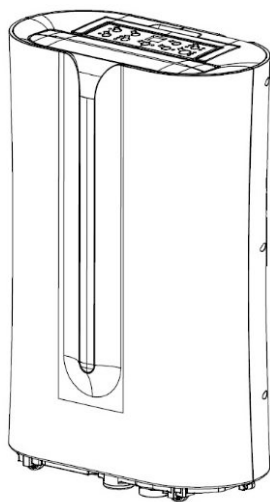
目錄

- 安全使用注意事項
- 外觀各部分名稱說明
- 操作方法
- 使用方法
- 使用注意事項
- 故障排除
- 服務和保證
- 規格

維修服務使用原廠零件，如任意更換本公司之原廠零件，至造成本機及周邊財務等損害，本公司不負責保護維修及一切損害之責任。

緊急處理方法

當本機有運轉異常現象發生時，請盡速關閉電源開關，拔掉電源插頭，並請致電至本公司服務單位處理，切勿自行拆修，以免發生危險。



為了避免機身內部受損，使用前請至少要讓機身直立2小時以上。

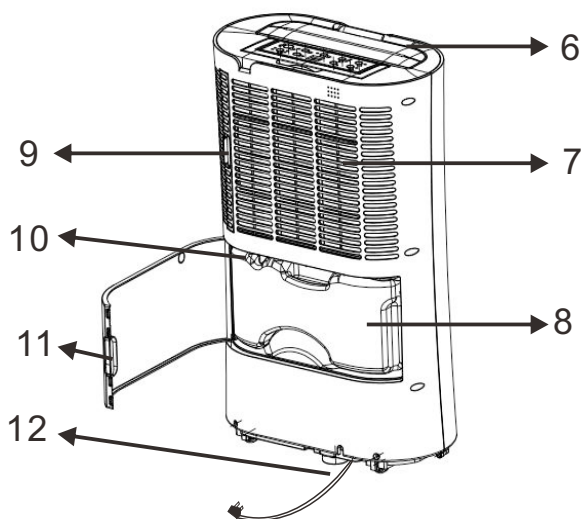
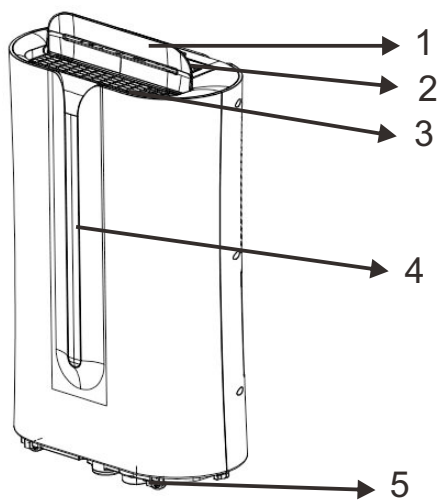
在使用前請詳細閱讀《使用說明書》並妥善保存

安全使用注意事項

1. 使用前，請先確認電源相電壓220~240V,頻率50HZ。
2. 不要以電源插入及拔出來控制機件之運作及停止。
3. 機身要移動位置時，請先關閉開關，再拔出電源。
4. 不要用棒狀物去插入出風口內部。
5. 機身請勿放置于鬆軟的地方。
6. 不要用水去噴濕機身。
7. 機身上請勿噴灑殺蟲劑及可燃性液體。
8. 機身上不可以放置密閉狹窄空間。
9. 若電源線損壞時，必須由製造廠商或其服務處或具有資格的人員更換以避免危險。
10. 機身上不可以放置重物或讓小孩子乘坐、玩耍。
 - 關於接地線之安裝
為防止意外觸電，務必裝好接地線。
 - 請注意
絕對不可利用氣體與自來水管接地。
 - 如未正確安裝本機插頭接地（綠色）線而發生觸電時
本公司將不負一切損害之責任。

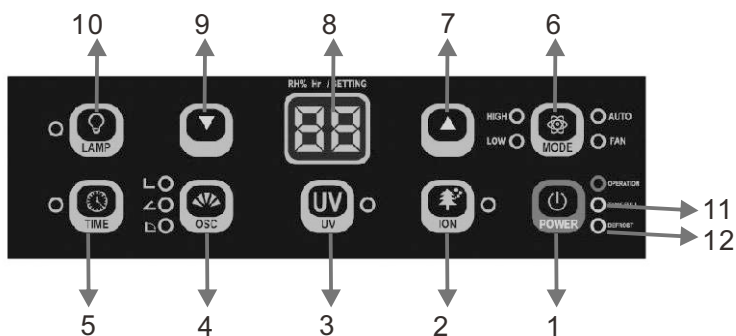
外觀各部名稱說明

- 1、擺葉
- 2、控制板
- 3、出風口
- 4、燈
- 5、輪子
- 6、手柄
- 7、進風口
- 8、水箱
- 9、過濾網
- 10、連續排水孔
- 11、後蓋
- 12、電源線



控制台

- 1、電源
- 2、負離子
- 3、紫外線
- 4、搖擺
- 5、定時
- 6、模式
- 7、上調鍵
- 8、顯示幕
- 9、下調鍵
- 10、燈
- 11、水箱滿指示燈
- 12、化霜指示燈



操作方法

機體操作說明

i) 如何開機

(1) 插上電源。

(2) 按開關鍵“開／關”，開機，開始運作，電源指示燈“運作”亮，顯示系統預設工作模式，對應指示燈亮（注：斷電重啓不記憶斷電前工作模式；非斷電重啓記憶關機前工作模式）

ii) 如何關機：在運轉中按下開關制“開／關”，即電源，停止運作，所有指示燈滅（注：在開機狀態時，不應直接拔下拔頭，要先關掉電源再拔插頭，要先關掉電源再拔插頭，以免損壞電器零件，減短抽濕機的壽命）。

前燈：當機台打開時，燈會自動開啟。燈的顏色會根據環境適度而改變。

紅燈時：室內濕度在75%或以上

綠燈時：室內濕度在75%以下。

橘黃燈時：室內濕度在40%以下。

按下“燈”按鈕，燈會被關掉。

濕度設定：按上調/下調鍵選擇適當的濕度，首次開機濕度預設為55%的濕度。濕度設定在35%時，機台會連續運轉，直到水滿才停機，可以當乾衣功能使用。

iii) 運轉切換“模式”鍵：在開機時為有效鍵，模式鍵切換模式2秒延時確認，運作模式切換順序是：自動—強力除濕—靜音除濕—送風（注：首次開機系統預設選擇“送風”）。

iv) 除霜功能：當環境溫度低於16度時，本機每小時會自動運行除霜模式，除霜模式，除霜模式會影響除濕能力。除霜時除霜燈“除霜”閃亮，壓縮機停機不工作，風機仍正常工作。

v) 水滿檢測：當系統滿水時，蜂鳴報警響起，所有按鍵均無效，滿水燈“水滿”閃爍直到水滿排除為止。

vi) 負離子功能鍵：

1. 選擇負離子功能開與關，當負離子功能開時對應的燈亮。

2. 每次按制皆有兩秒延時執行功能。即在停止按制兩秒中後，才開時執行所選擇的功能。

3. 負離子可以清新空氣被譽為“空氣維他命”是人類健康和長壽不可缺少的要素。

vii) 搖擺：一在開機運作時，擺頭功能順序是：45度—90度—廣角三種角度

(注：廣角為45—90度來回擺動，首次開機系統預設選擇45度角，關機固定選擇以0度角)。

viii) 定時功能：按“定時”設定時間，此時“定時”燈會亮，時間亦被設定，但在設定之前，確定“定時”功能未被啟動（燈是在未亮的狀態）。可使用的設定程式如下

- 1.延遲“開”的功能，用“定時”鍵設定“開”的時間（0—24小時均可），設定時間一到，機件會自動啟動。
- 2.延遲“關”的功能（機件須在運作狀態），設定時間一到，機件會自動停止轉動。

！注意：

- 1.如設計濕度高於實際溫度，抽濕機將不運作。
- 2.水滿亮燈時，請將水箱內之水倒掉，並裝回水箱，機器才會繼續運轉。
- 3.本機停機後，請將5分鐘後再開機以確保壓縮機壽命更長。
- 4.如長時間不使用抽濕機時，請拔下電源線插頭。

■ 技能特點說明

- 1.靜音除濕的設計：適用於夜間睡眠、環境需要安靜與對室內濕度不高情況下使用。
- 2.連續除濕功能（濕度設定在35%時）：針對高濕型氣候，特別設計除濕不會中斷，作為乾衣或特殊低溫空間 特別適合。
- 3.過濾網設計：容易清洗的過濾網，確保機件的除濕功能。
- 4.本機為B式低濕除濕型，適用環境溫度為5—35℃，當機內進氣部結霜時，本機將自動進行除霜，此時除霜燈會亮。

■ 排水說明

〔一〕水箱滿水時

- 1.水箱滿水時，機身會停止運作，水箱指示燈會閃亮（紅色）。
- 2.此時，請將水箱輕輕取出，倒水。
- 3.倒完水後，將水箱輕輕放回機身直到定位。

《注意事項》：為避免壓縮機因斷續啟動，造成故障，請勿重複“取出”“放回”水箱動作。

〔二〕連續排水時

（使用排水管做連續排水）將水管直接插入機身的連續排水孔，由排水通孔插入內徑Φ13mmPVC排水管即可（此時，運作燈會亮起，而水滿等則會熄滅）。

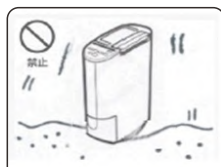
使用方法

- 過濾網取出方式：將過濾網往外拉出即可。
- 水箱取出順序：由把手之凹位輕輕拉出水箱即可。

使用注意事項

- 1、本機使用溫度範圍為5°C～35°C，請在此範圍內使用(再次範圍外使用機體常會使保護開關動作，造成機身自動停止運作，此為正常現象)。
- 2、室溫在5°C以下時，環境的絕對溫度相當低，基本上可以不必使用抽濕機。
- 3、機身運作時，會啟動內部壓縮機，並產生熱量，故室溫會稍微上升，此為正常現象請安心使用。
- 4、當水箱滿水時，機身將自動停止運作。
- 5、為確保水箱內浮子動作正常，請勿打開浮子蓋，或在浮桶內設置任何東西。
- 6、機身無法啟動或不明原因之停止時，請依以下步驟排除之。
 - (1) 檢查插頭或電源線是否正常。
 - (2) 若上述正常，則等10分鐘後再開機。
 - (3) 若仍無法啟動，請與各地經銷商或本公司服務單位聯絡。
- 7、入風口和出風口與臨近物距離要保持15公分以上。

● 清潔保養說明



使用時請勿將機身置于鬆軟、不平地面，以避免產生振動或異音。



不使用任何細棒、硬物插入機身內，以免發生故障或危險。



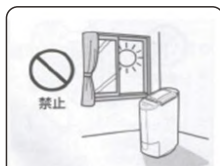
清理機身時，以濕布輕輕擦拭即可，切勿直接潑水，以免破壞電器絕緣。



機身上面請勿置放重物或含水之花瓶、物品。



請將機身遠離暖爐等熱源旁使用，可節省用電。



使用時請關閉門窗，以達到除濕效果。



過濾網請每兩星期洗一次（不可使用40°以上的熱水或酒精、汽油、甲苯）。



過濾網清洗后，請不要在太陽直射下晾乾，以免變形。



機身前後或出風口勿擺放物品，阻礙通風以確保除濕效果。



停電或長期不使用，請拔下電源線插頭，以免漏電，發生火災。



移動、搬運機身前，請先倒出水箱內積水。



不使用時，請放在通風的位置，以免發熱燒壞。

故障排除

發生以下的狀況時，請立即停止運作並與經銷商或服務站聯絡

- 1、無熔絲開關或保險絲經常跳脫或熔斷時
- 2、誤將異物或水引入機內時
- 3、電源線或插頭異常發熱時

需要召服務人員處理時

故障了碼？

……………請先依照下列事項自行查驗一遍
（除了服務人員以外請勿將側板打開）

| | |
|----------------------|---|
| 故障狀況 | 請先查驗以下問題點 |
| 打開運作開關 還不運作時 | 1、水箱放置正確嗎？ 2、電源插頭是否確實插入插座？ 3、家中無熔絲開關或保險絲是否斷了。 4、有沒有停電？ |
| 感覺除濕量太少 | 1、前置過濾網是否太脏了阻塞不通風？ 2、室內溫度、濕度是否太低？ 3、機器入風口和出風口是否堵塞？ |
| 長時間運作無法達到 “適濕”狀況時 | 1、門、窗是否打開太大？ 2、室內是否有產生水蒸氣的物品？ 3、室內空間是否太大？ |
| 噪音太大時 | 1、地面是否堅硬平坦？ 2、是否除濕機的放置不當,造成噪音的發生？ |
| 除霜燈長亮 | 1、溫濕度是否損壞或鬆脫？ |

服務和保障

1、服務

(1) 以上問題點處理後,仍有問題,請通知經銷店或服務站,通知時請賜之下列三點:

- a) 製品之機重 b) 故障內容和現象

[請注意]

(2) 保證書請保存好,不要遺失。

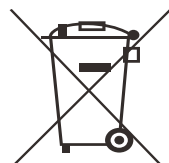
服務員拜訪時,請出示服務保證書,如有不清楚的地方,請就近至各地區經銷店或服務站洽詢。

2、保證

(1) 詳細請看保證書上的說明。

規格

| | |
|------|-------------------------|
| 型號 | ZD228DA |
| 除濕能力 | 22 L/Day (30°C RH80%) |
| | 12 L/Day (26.7°C RH60%) |
| 額定電壓 | AC 220 ~ 240V |
| 額定頻率 | 50 Hz |
| 輸入功率 | 375W (30°C RH80%) |
| | 320W (26.7°C RH60%) |
| 水箱容量 | 4 L |
| 風量 | 130m ³ /h |
| 噪音 | ≤ 39dB(A) |
| 冷媒 | R134a /180g |
| 淨重 | 15.4 kgs |
| 低壓壓力 | 0.5MPa |
| 高壓壓力 | 1.5MPa |



大昌貿易行有限公司
DAH CHONG HONG. LTD

香港九龍灣啟祥大道20號大昌集團大廈八樓
8F DCH Building, 20 Kai cheung Road, kowloon Bay, Hong Kong
售後服務熱線 Service Hotline : 8203 0298

ZANUSSI is a registered Trademark used under license from AB Electroluk(publ).